

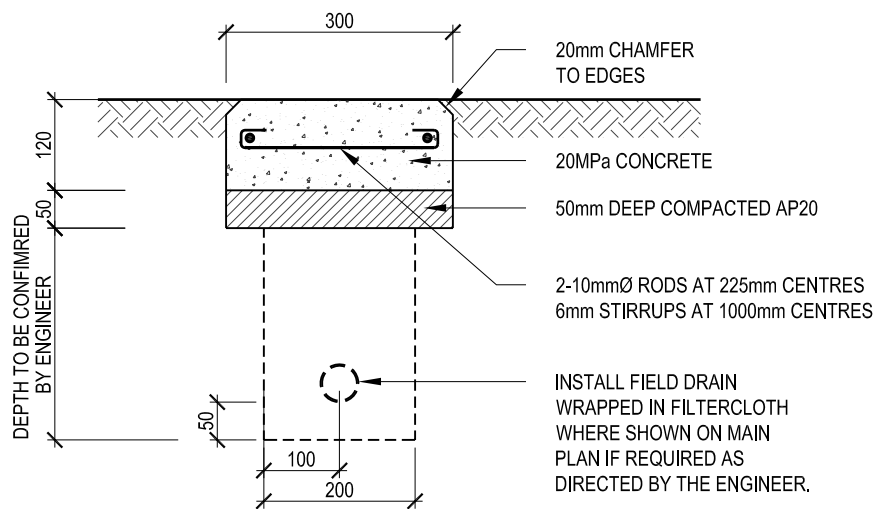
**NOTES**

**CONCRETE**

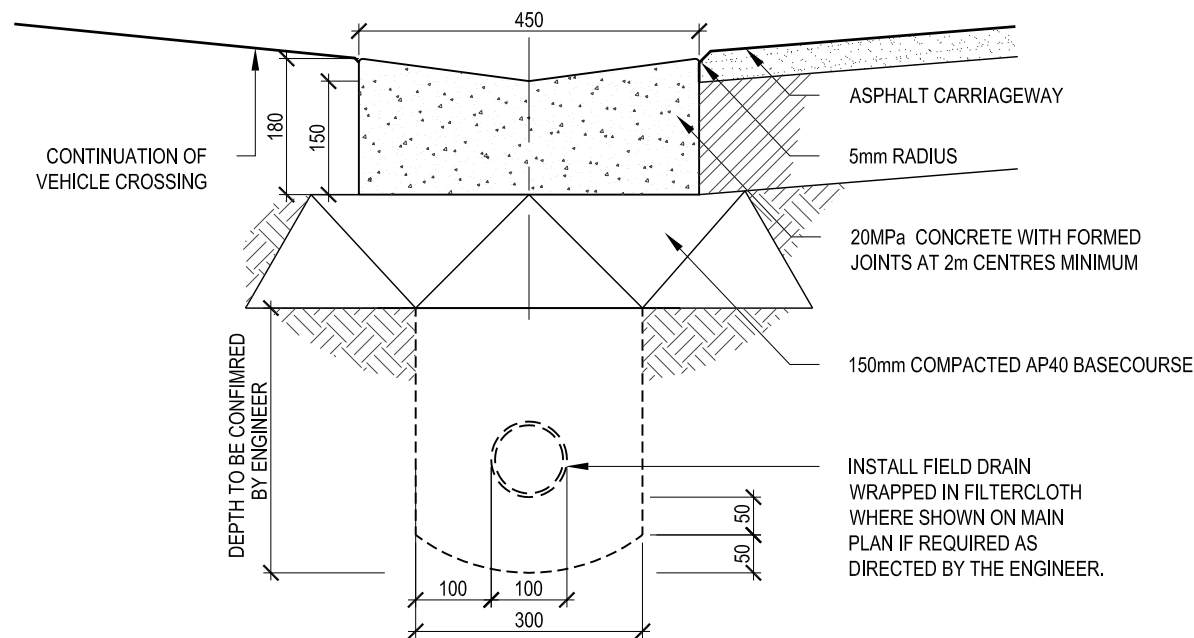
- ALL CONCRETE TO HAVE MINIMUM STRENGTH OF 20MPa.

**TYPICAL USES**

- TO CREATE A CLEAN EDGE TO MOW UP AGAINST
- UNDER FENCES OR BARRIERS LOCATED WITHIN GRASS
- TO DIRECT WATER INTO CESSPITS IN CARPARK AREAS



**1** REINFORCED MOWING STRIP SECTION  
Scale 1:10



**2** DISH CHANNEL SECTION  
Scale 1:10